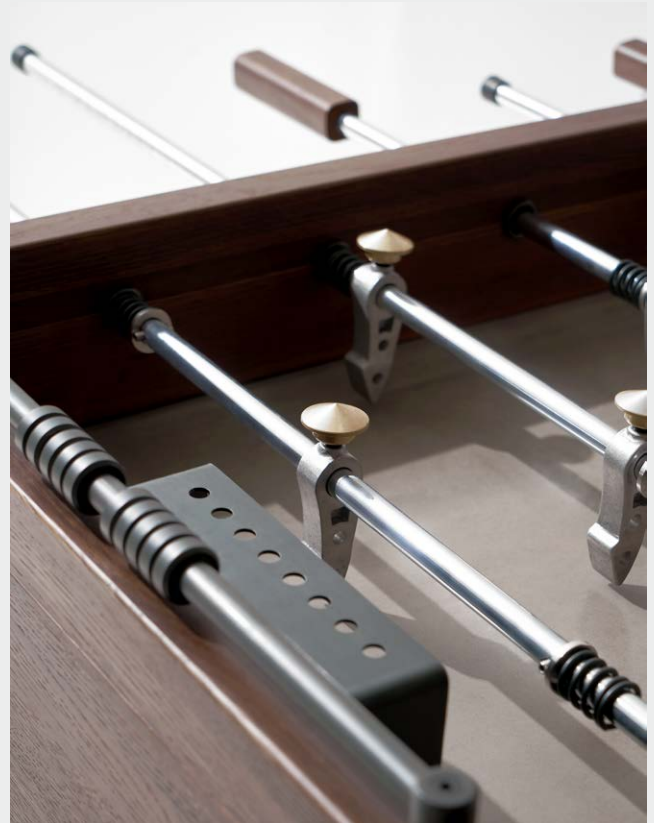


FOOSBALL TABLE

M4002

Our signature Foosball Table is designed and engineered to the finest detail. Every component is crafted, combining cast iron, oak and concrete, with unique details such as the player's hats. The Foosball Table has already been a statement piece within the most inspiring spaces worldwide.

DISTRICT EIGHT



Oak frame / Steel rods / Cast iron legs /
Concrete top / Brass



FOOSBALL TABLE

M4002

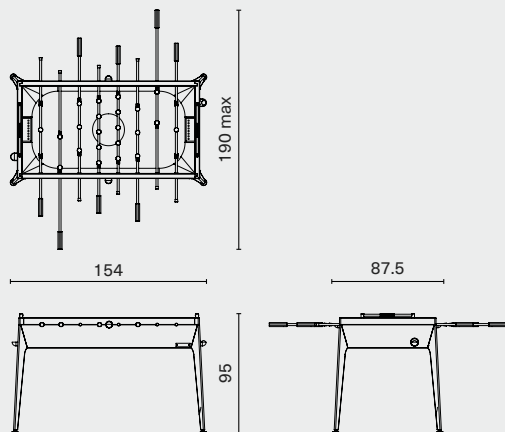
DISTRICT EIGHT

DIMENSION (cm)

FOOSBALL TABLE

M4002

L154 W188 H95



PACKAGING INFO

Complete

Top

Legs

L165 W104 H42cm / Gross 138kg / CBM 0.75

L90 W35 H12cm / Gross 25kg / CBM 0.04

FOOSBALL TABLE

M4002

DISTRICT EIGHT

RECOMMENDED FINISHES

— Wood / Concrete



1 Ebonized Oak - MEO

Acid Black



2 Smoked Oak - MKO

Grey