

DISTRICT EIGHT

2021-2022  
COLLECTION

STILT  
COLLECTION

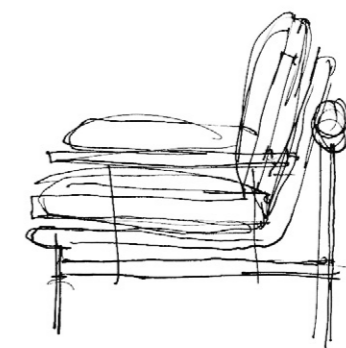
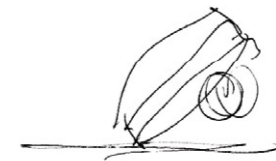


designed by  
Toan Nguyen





The particular context of the **Stilt Collection** is to design for an atypical Vietnamese company a collection of furniture that draws its inspiration from the culture of Vietnam, highlighting its tradition of craftsmanship while maintaining an ongoing dialogue with the manufacturing culture of contemporary European furniture.



Đà Nẵng City  
Việt Nam  
←



WE DESIGN AND CREATE QUALITY FURNITURE  
INSPIRED BY VIETNAMESE HERITAGE FOR MODERN-  
DAY LIVING.

Carefully crafted and delivered in high-quality standards, District Eight's defining signature comes from a commitment to elevating workmanship, refining aesthetic, and reframing functionality. Rooted in the passion to build and ever-improve, we continually strive for techniques and solutions that transform authentic ideas and materials into furniture pieces of distinguished values and character.

From the drawing desk to the production line, we seek to honor the tradition of dedicated craftsmanship in Vietnam through every considered detail, which propels our products from domestic to Asian, European and American markets. Since 2010, our products have become synonymous with Vietnam's creative energy, blending global insight with inspiring traditions.

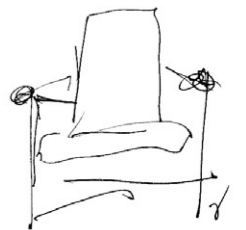


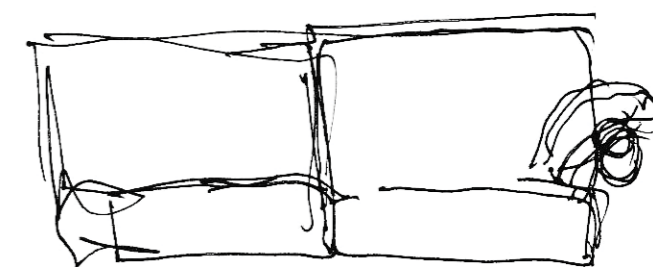
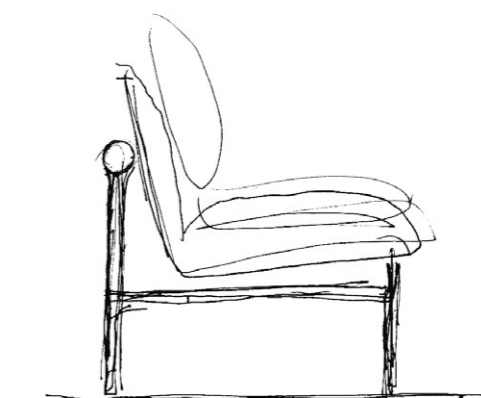
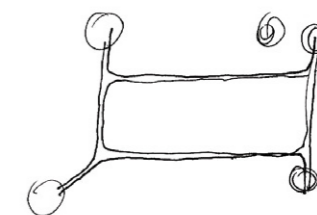
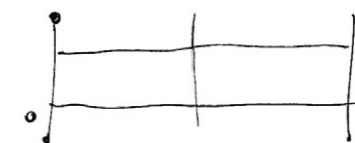
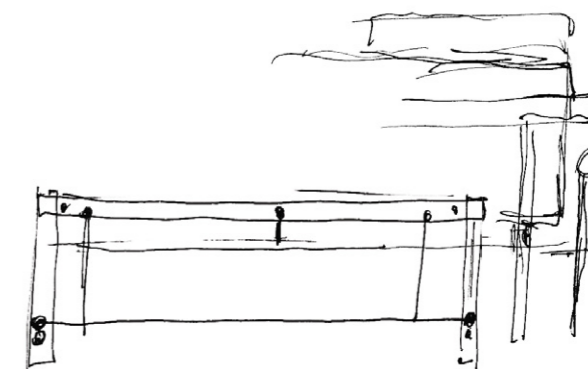
## DESIGNER PROFILE



TOAN NGUYEN's creative individuality has been acknowledged by flagship contemporary design brands such as District Eight, Dedon, Fendi Casa, Laufen, Rolf Benz, Vibia, Brown Jordan, Coalesse, RH, Studio TK, Lema, Viccarbe, Walter Knoll, Wendelbo, among others, a substantial number of whose creations have been awarded prestigious international prizes.

For Toan Nguyen design is a discipline intimately bound up with the object, in the traditional sense of the term. Priority is given to physical relationships with users—to them sitting, washing, lighting, etc. Displaying an immediate sense for meaningful utilization, precedence is accorded to intelligible forms and optimized manufacturing processes, without, however, ever neglecting the sensuality of materials and the emotional impact of the object.





"The metal completes the construction, playing an essential role in stabilizing the structure while lightening the silhouette. As much as the wood is generous and round, as much the metal is its exact opposite"









## STILT COLLECTION

Stilt is a collection of relaxing comfort and simplicity.

Its conscious and no-frills design underlines District Eight's distinctive vision to articulate Vietnamese storied craftsmanship from a contemporary perspective - one that's inspired by European ingenuity, and resonates with people all over the world.

With the sofa and armchair, separate back and seat cushions gently slot into a slender wood platform that comes in either leather or fabric upholstery. Together they're supported by a sinuous frame, whose seemingly simple structure pays homage to traditional stilt houses found in Northern and Central Vietnam.

That bearing base consists of elegant wood beams and steel bars, laboriously worked on and sturdily unified by recessed joints of discerning precision. Such details also pertain to the collection's table set, providing support for its solid oak top.

A new interpretation of District Eight's signature forms and materials, the collection eloquently captures the beauty of design and the mood of modern-day living in an ever-changing world.

**STILT IS THE RESULT OF  
A QUEST FOR HARMONY  
IN CONTRAST.**







## STILT ARMCHAIR & OTTOMAN



A delicate balance between understated clarity and intuitive elegance, the Stilt armchair is outfitted with enveloping cushions that relax the body along the line of an ergonomically reclined platform, while providing tactile comfort thanks to their minute construction.









A perfect companion to pair with the Stilt Armchair or your favorite District Eight seating, the Stilt Ottoman is drawn from the collection's sense of harmony and naturalness, brings in a pleasing complement to Stilt's extensive lineup, and accommodates space for everyday rest and leisure.









## STILT CHAISE LOUNGE



Part of a broader collection designed by Toan Nguyen for District Eight, the Stilt Chaise Lounge is an expansion on the charm and ingenuity that Stilt is beloved for. Its steel and oak base is signature of the collection, alluding to traditional stilt houses in Southeast Asia.





The reclining frame, crafted from oak and upholstered in leather or fabric, is ergonomically contoured, and attached with a form-fitting layer of foam to provide comfort. Also comes with an adjustable headrest, the Stilt Chaise Lounge makes a calmed cocoon for ultimate relaxation in your interior settings.





STILT DAYBED



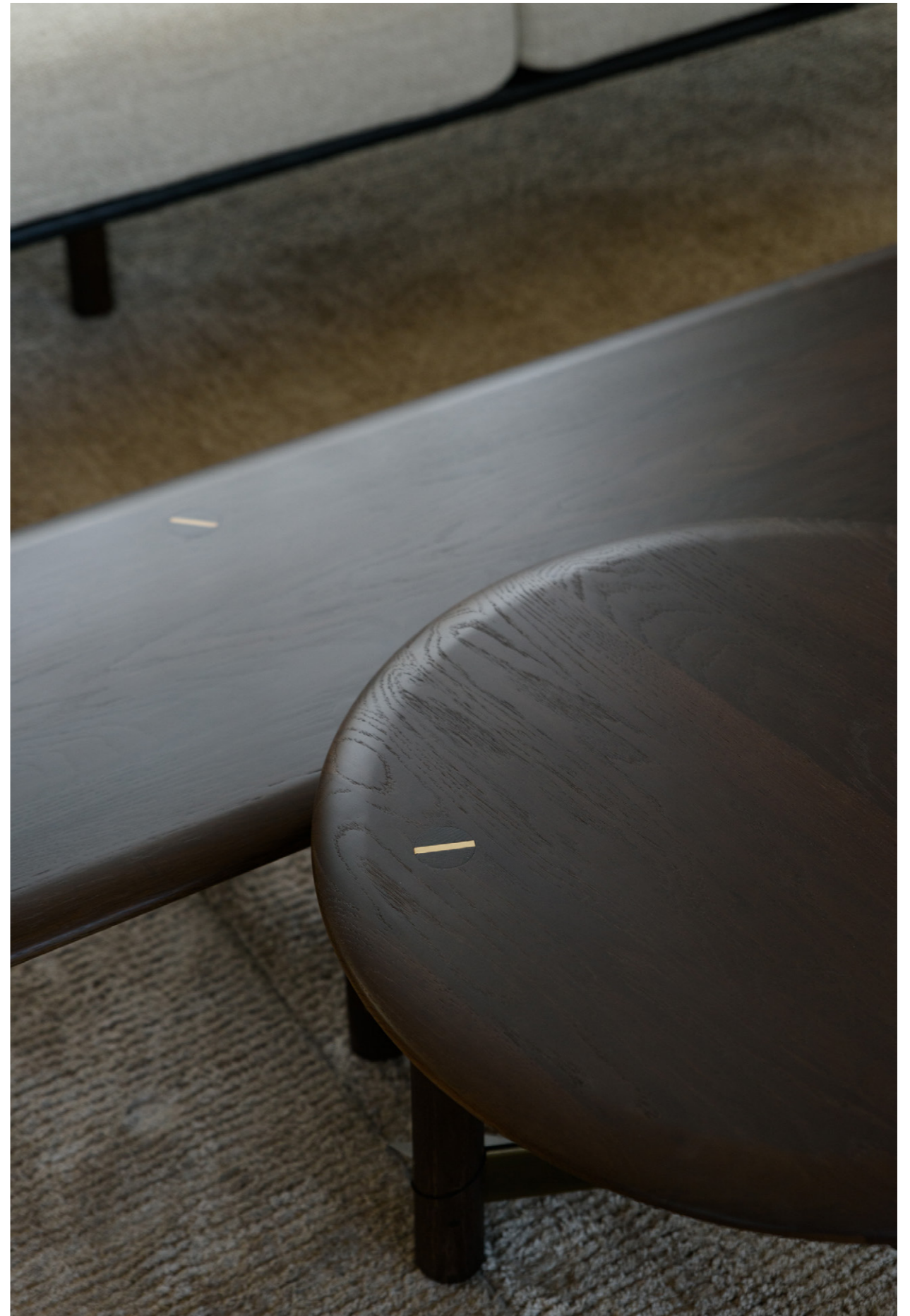


## STILT TABLE

The Stilt Table is structurally refined yet also accentuated by the pleasing charms of its materials. Minimal in form, it in turns offers versatile use through a wide range of configurations including high and low versions, with different sized tops in round, square, or rectangle.















## STILT SOFA SYSTEM



Soft, spacious, and instantly inviting, the Stilt sofa is a modular system that can be easily adapted to settings of any style and varied sizes. With balanced proportions between its extensive, streamlined platform and the padded, enriching cushions on top, the sofa essentially encapsulates the European sense of modern design, while also adding a touch of authentic Asian influence, as seen through its wood-based frame and additional smaller cushions for the armrests.

























## STILT BED & STILT BENCH



The Stilt Bed with its minimal look was designed to maximize relaxing comfort as well as deliver intuitive elegance, projecting the idea of an embrace, a haven. The tailoring finishes and finely crafted steel elements at the back transform the Stilt Bed into a refined centerpiece in solitary when placed in the middle of the room.



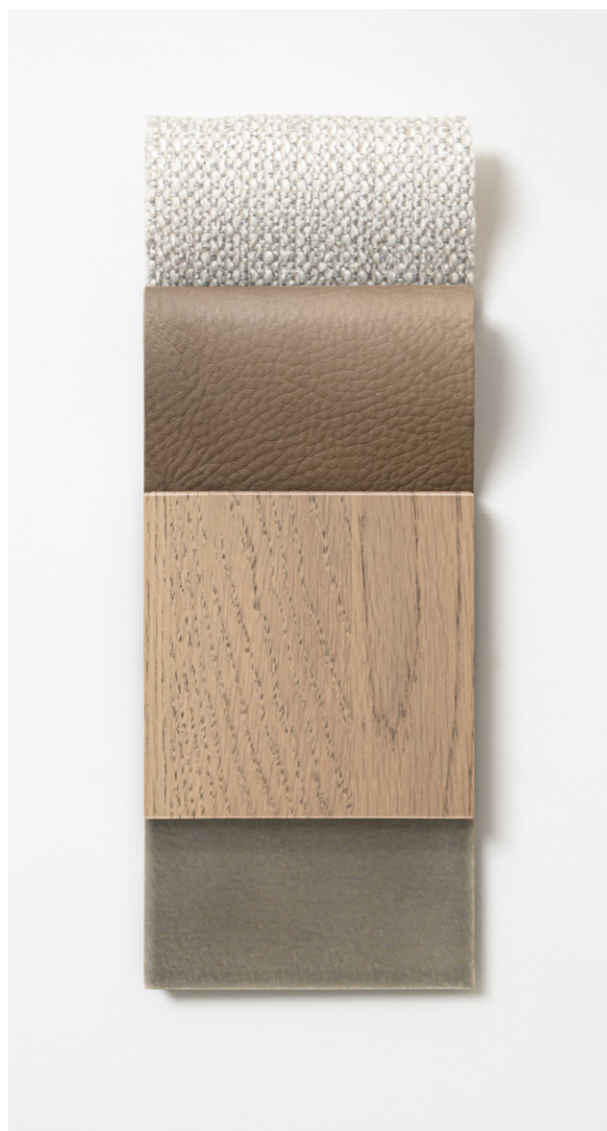






The Stilt Bench acts as a piece of furniture that is as practical as it is beautiful in all spaces. The bench continues to deliver its versatile use as a single piece or as a companion to the Stilt Bed thanks to the equivalent base height, binding the set for a seamless look.





Fabric cushion  
/ Leather platform  
/ Steel structure  
/ Oak

Tara Ivory  
/ Omari Putty  
/ Antique Nickel  
/ Beige Oak



Tara Quartz  
/ Omari Chocolate  
/ Antique Brass  
/ Smoked Oak



Tara Flint  
/ Omari Ink Black  
/ Antique Copper  
/ Ebonized Oak



# STYLE INDEX

Metric unit: cm

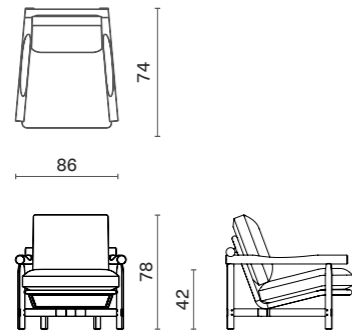
## STILT

Designed by  
Toan Nguyen

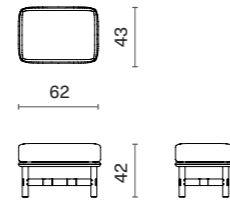
- Oak frame / Steel  
structure / Upholstered  
platform & cushion

The drawings refer to the compositions as shown in the pictures. For further information on availability on sizes, we kindly ask you to get in touch with our stores.

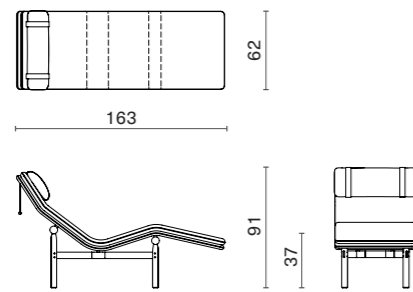
Stilt Armchair  
M2016-A



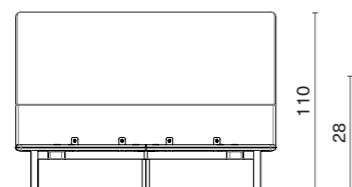
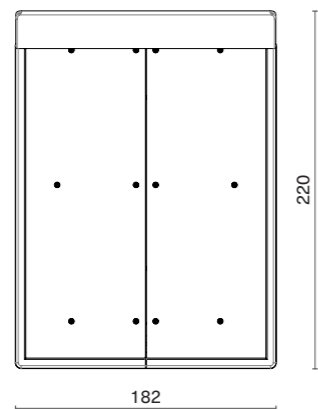
Stilt Ottoman  
M2016-O



Stilt Chaise Lounge  
M2016-CH



Stilt Bed - King Mattress Standard  
M3008-K



Available sizes

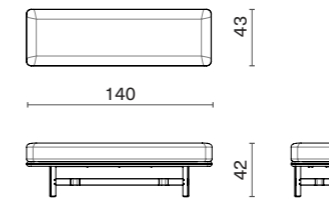
Queen Size - Standard  
L220 W162 H110 BH 28  
King Size - Standard  
L220 W182 H110 BH 28

Mattress sizes

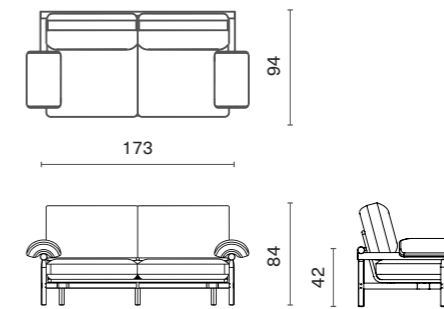
L200 W160  
L200 W180

\* Recommended height  
of mattress at least 20 cm

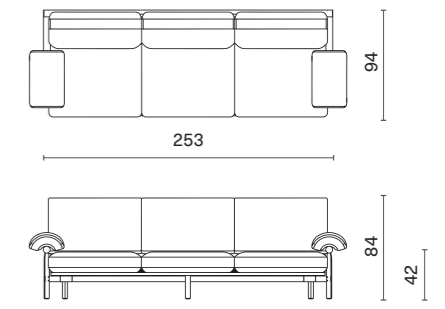
Stilt Bench  
M2016-BE



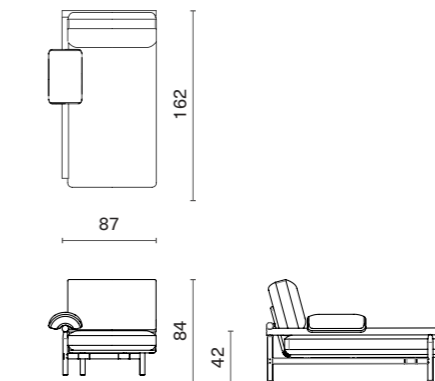
Stilt Sofa 2-seater with Armrests  
M2016-S2



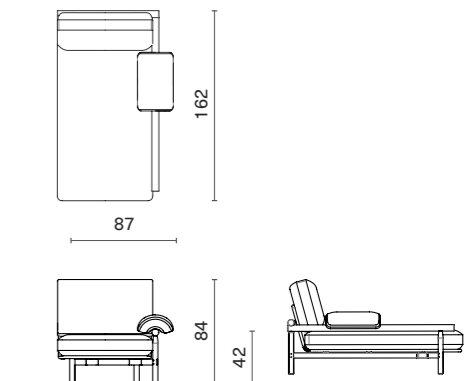
Stilt Sofa 3-seater with Armrests  
M2016-S3



Stilt Daybed with Left Arm  
M2017-LCH

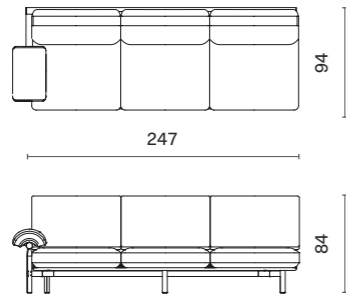


Stilt Daybed with Right Arm  
M2017- RCH

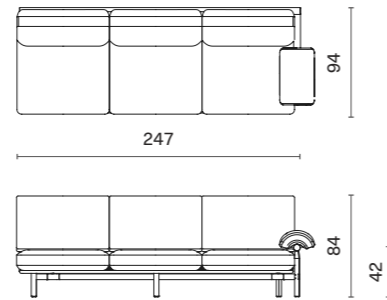




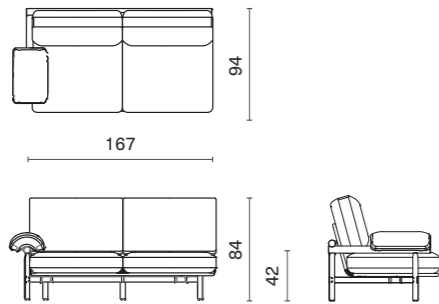
Stilt Sofa 3-seater with Left Arm  
M2016-S3-LA



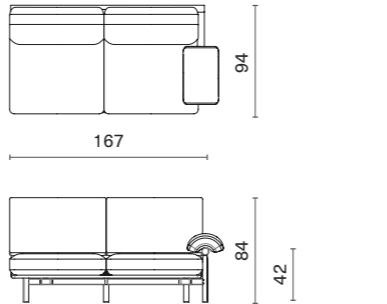
Stilt Sofa 3-seater with Right Arm  
M2016-S3-RA



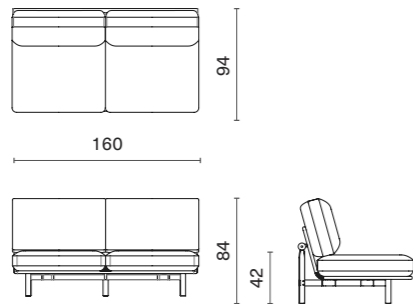
Stilt Sofa 2-seater with Left Arm  
M2016-S2-LA



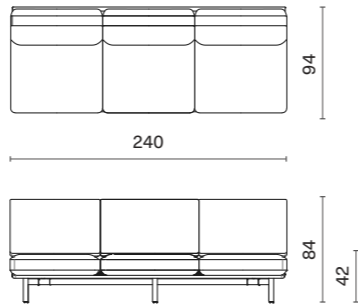
Stilt Sofa 2-seater with Right Arm  
M2016-S2-RA



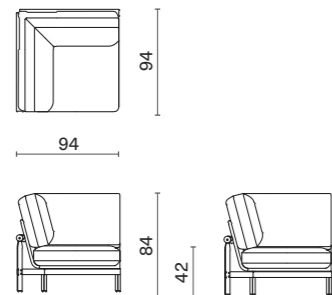
Stilt Sofa 2-seater without Arm  
M2016-S2-NA



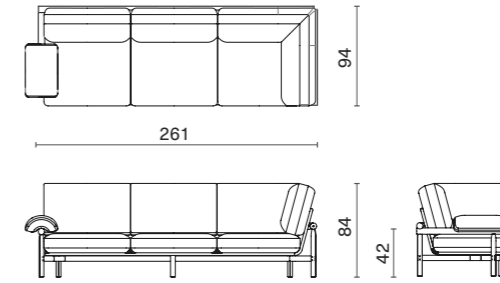
Stilt Sofa 3-seater without Arm  
M2016-S3-NA



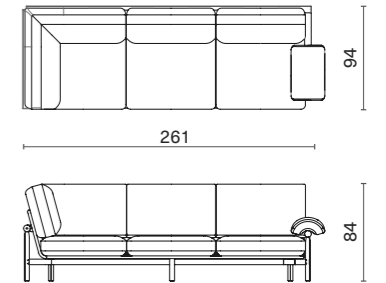
Stilt Sofa Corner  
M2017-C



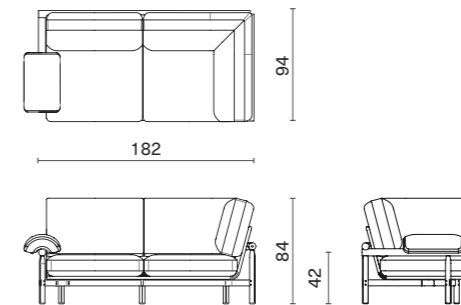
Stilt Right Corner Sofa 3-seater with Arm  
M2017-S3-RCA



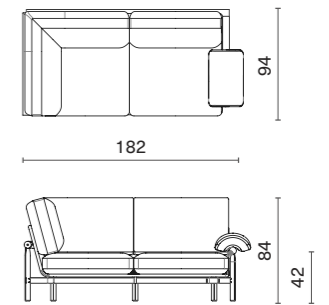
Stilt Left Corner Sofa 3-seater with Arm  
M2017-S3-LCA



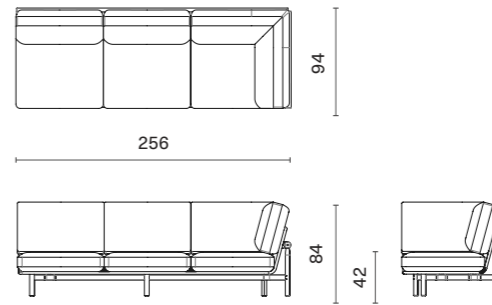
Stilt Right Corner Sofa 2-seater with Arm  
M2017-S2-RCA



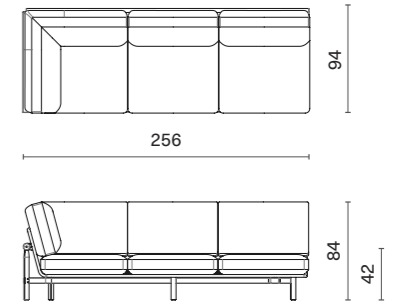
Left Corner Sofa 2-seater with Arm  
M2017-S2-LCA



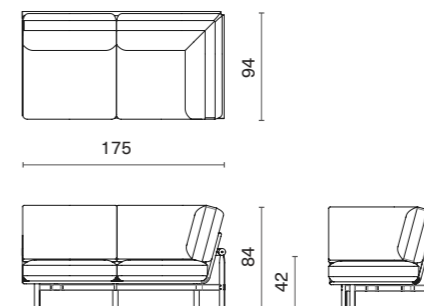
Stilt Right Corner Sofa 3-seater without Arm  
M2017-S3-RC



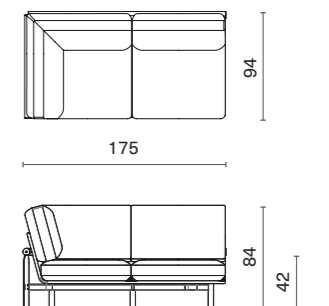
Stilt Left Corner Sofa 3-seater without Arm  
M2017-S3-LC



Stilt Right Corner Sofa 2-seater without Arm  
M2017-S2-RC



Stilt Left Corner Sofa 2-seater without Arm  
M2017-S2-LC



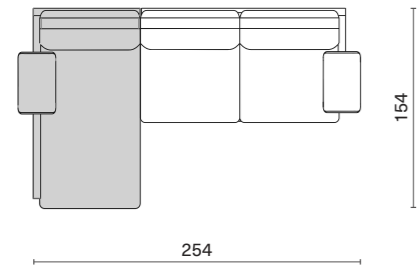


RECOMMENDED SETS

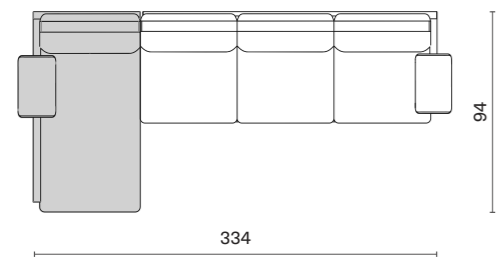
Set A



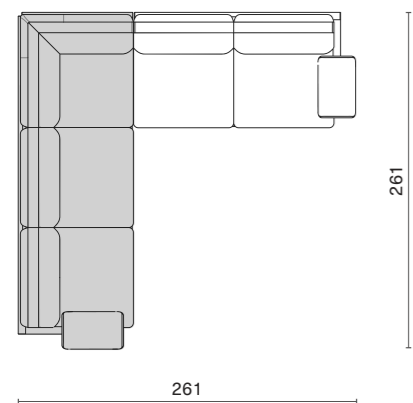
Set B



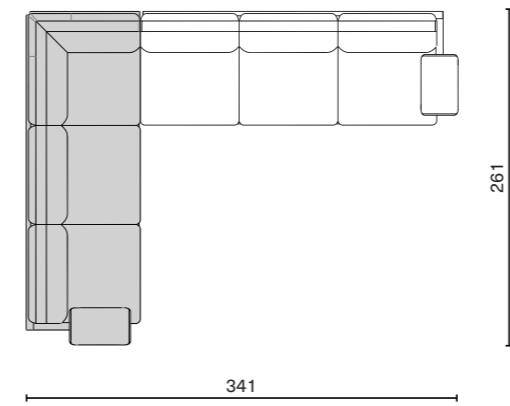
Set C



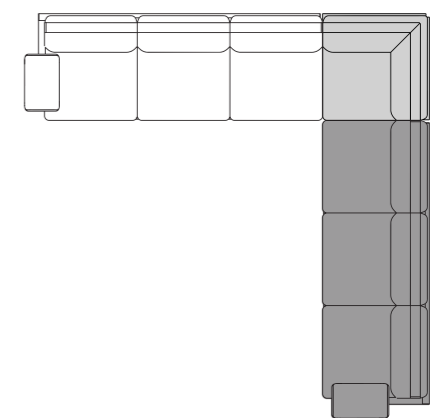
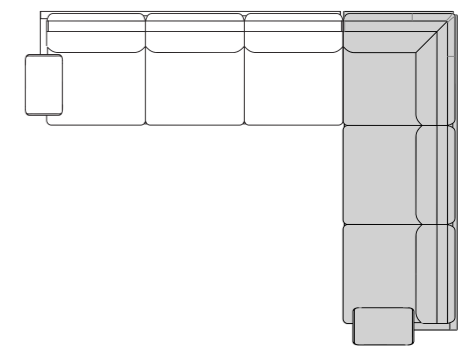
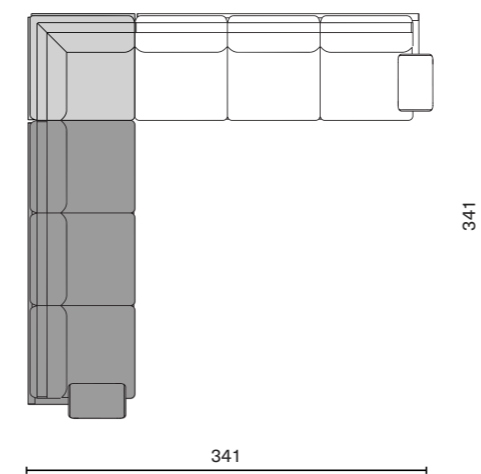
Set D



Set E



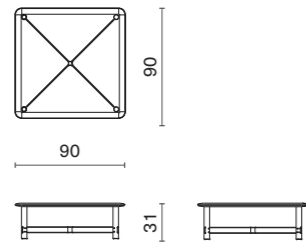
Set F





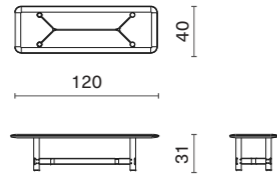
Stilt Square Table

M1007-SQ



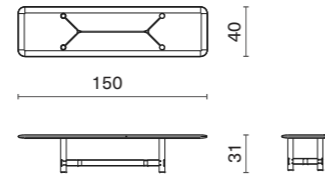
Stilt Rectangular Table Small

M1007-R-S



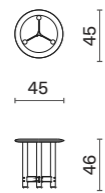
Stilt Rectangular Table Large

M1007-R-L



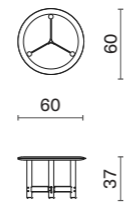
Stilt Round Table Small

M1007-C-S



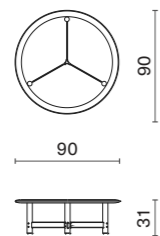
Stilt Round Table Medium

M1007-C-M



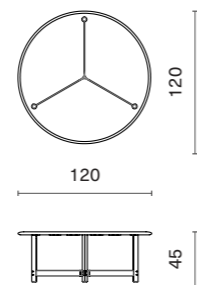
Stilt Round Table Large

M1007-C-L

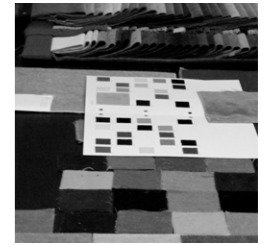
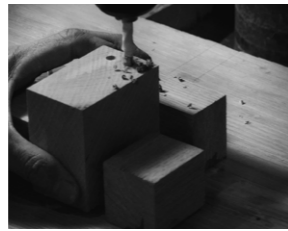
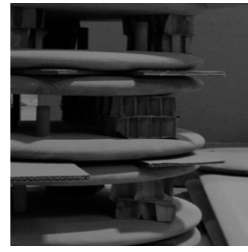
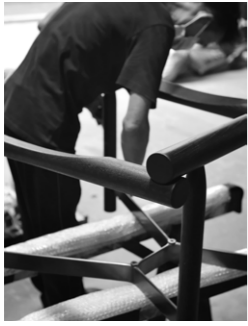


Stilt Round Table Extra Large

M1007-C-XL









**CRAFTED FOR LIFE.**



**DISTRICT EIGHT DESIGN FACTORY**

E4/52, 1A Highway, Binh Tri Dong B Ward,  
Binh Tan District, Ho Chi Minh City, Vietnam.

**DISTRICT EIGHT SÀI GÒN SHOWROOM**

33 Dong Khoi, Ben Nghe Ward,  
District 1, Ho Chi Minh City, Vietnam.

(+84) 28 38 170 311

(+84) 28 38 170 312

Sales, projects, technical requests:

[info@districteight.com](mailto:info@districteight.com)

[www.districteight.com](http://www.districteight.com)