

KNOT ROUND TABLE

M1016-CI

The Knot Collection boldly reimagines the intricate weaving patterns found in Asian traditional crafts. Challenging the rigid perceptions of solid timber products, each knot in the weave is designed to create a visual rhythm with a sense of softness and fluidity. Knot magnifies the inherent simplicity of the flat weaving pattern, transforming it into a symmetrical and geometric structure.

DISTRICT EIGHT



- Oak



KNOT ROUND TABLE

M1016-CI

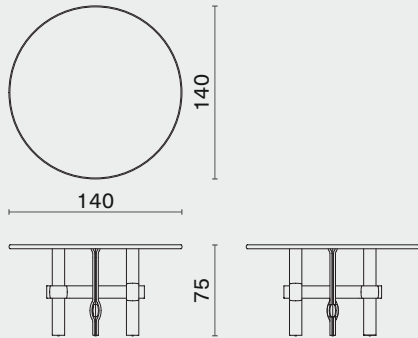
DIMENSION (cm)

PACKAGING INFO

KNOT ROUND TABLE SMALL

M1016-CI-S

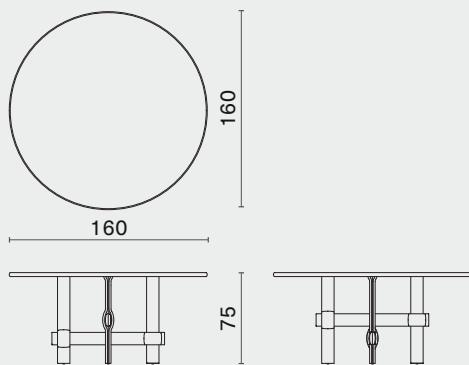
L140 W140 H75 (cm)
L55.3 W55.3 H29.8 (inch)



KNOT ROUND TABLE MEDIUM

M1016-CI-M

L160 W160 H75 (cm)
L63 W63 H29.8 (inch)



KNOT ROUND TABLE LARGE

M1016-CI-L

L200 W200 H75 (cm)
L78.8 W78.8 H29.8 (inch)

