

ORA DINING TABLE

1034-DNTB

Inspired by the soft, subtle hues and shapes of traditional Asian celadon ceramics, ORA exudes a quiet yet undeniable elegance and presence. The egg-shaped marble top, paired with rich solid oak, creates a striking combination that radiates both warmth and refinement. Its modern, organic shape effortlessly complements both contemporary and classic interiors. The detachable Lazy Susan allows for easy sharing and serving, or can also be used for the table's centrepiece. The distinctive pedestal base, enveloped in oak, elevates ORA from mere furniture to a true work of art.

— Designer: Ina Rinderknecht

DISTRICT EIGHT



Oak frame / Marble top



ORA DINING TABLE

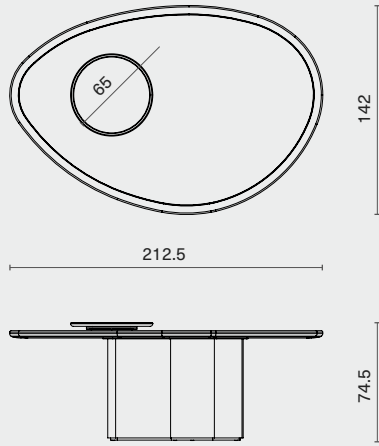
1034-DNTB

DISTRICT EIGHT

DIMENSION

Ora Dining Table
1034-DNTB

L212.5 W142 H74.5 (cm)
L83.7 W55.9 H29.3 (inch)



PACKAGING INFO

TABLE TOP

L230 W155 H39 (cm)
L90.6 W61 H15.4 (inch)

LEGS & HARDWARE

L106 W68 H94 (cm)
L41.7 W26.8 H37 (inch)

Gross / CBM TBU

ORA DINING TABLE BY INA RINDERKNECHT



Born and raised in Seoul, South Korea, but with an international upbringing across many continents, Ina Rinderknecht's love of design began during a school exchange in Yogyakarta where she learnt traditional Indonesian arts and crafts. From there, she graduated from the Istituto Europeo di Design followed by obtaining a Masters Degree of Arts in Design from Domus Academy Milan.

Ina started her professional career in Milan before moving to Hawaii to create renowned hospitality spaces with Peter Vincent & Associates. Whilst working as the lead interior designer on the Park Shore Waikiki Hotel in 2005, owned by the Blackstone Group, she was subsequently asked in 2006 to join this Private Equity firm as a design consultant for their own luxury hotel brand, LXR Luxury Resorts.

In 2006, she founded Ina Rinderknecht , her design agency in San Francisco and return to her homeland, Zurich, in 2008 where she finally established the firm